

ASTM A182

STAINLESS HIGH PRESSURE FITTINGS INDEX

90° ELBOW / CROSS / TEE / 45° ELBOW - SOCKET.....	46
COUPLING / HALF COUPLING / CAP - SOCKET.....	47
90° ELBOW / CROSS / TEE / 45° ELBOW - THREADED.....	48
COUPLING / HALF COUPLING / CAP - THREADED.....	49
REDUCING COUPLING - SOCKET-WELD END.....	50
REDUCING COUPLING - THREADED END.....	51
SQUARE HEAD PLUG / HEX HEAD PLUG / ROUND HEAD PLUG / HEX HEAD BUSHING / FLUSH BUSHING.....	52
UNION - THREADED.....	53
UNION - SOCKET.....	54
HEX - NIPPLE.....	55
STREET ELBOW.....	56
STANDARD PACKAGING QUANTITY FOR EACH CARTON.....	57
WEIGHT LIST.....	58
REDUCER INSERT.....	59

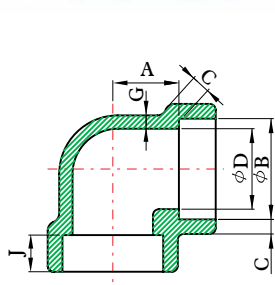


FORMETCO

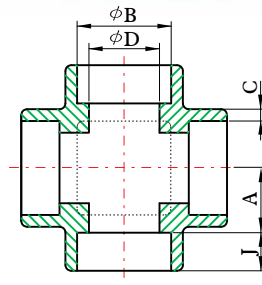
3800 May Road
Duluth, Georgia 30097
678-951-1121
www.auroraalloys.com

ASTM A182 STAINLESS HIGH PRESSURE FITTINGS

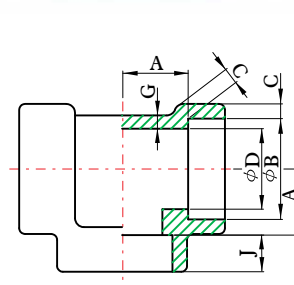
90° ELBOW / CROSS / TEE / 45° ELBOW - SOCKET



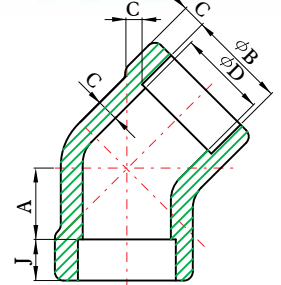
90° ELBOW



CROSS



TEE



45° ELBOW

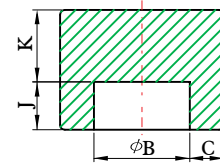
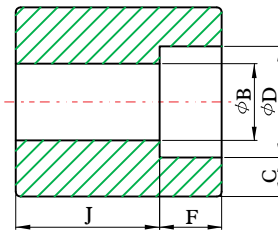
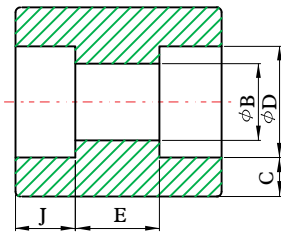
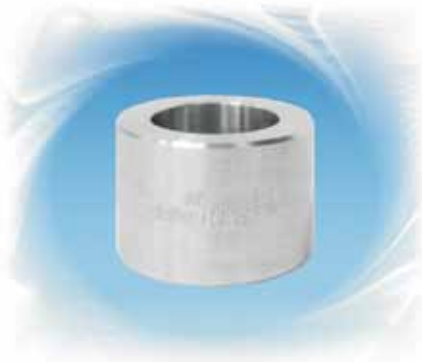
DIMENSIONS

unit : inch

DN	Nom. Pipe Size	Socket Bore Dia. (2) B	Bore Diameter of Fitting (2) D		Socket Wall Thickness (1) C				Body Wall Thickness G		Depth of Socket Min. J
					Class Designation				Class Designation		
			Class Designation		3000		6000		3000	6000	
			3000	6000	Ave.	Min.	Ave.	Min.	Min.	Min.	
6	1/8	0.441	0.299	0.189	0.125	0.125	0.156	0.135	0.095	0.124	0.374
		0.425	0.240	0.126							
8	1/4	0.575	0.394	0.280	0.149	0.130	0.181	0.158	0.119	0.145	0.374
		0.559	0.335	0.220							
10	3/8	0.709	0.524	0.390	0.158	0.138	0.198	0.172	0.126	0.158	0.374
		0.693	0.465	0.331							
15	1/2	0.874	0.654	0.492	0.184	0.161	0.235	0.204	0.147	0.188	0.374
		0.858	0.591	0.433							
20	3/4	1.087	0.854	0.642	0.193	0.168	0.274	0.238	0.154	0.219	0.492
		1.071	0.795	0.583							
25	1	1.350	1.079	0.846	0.224	0.196	0.312	0.273	0.179	0.250	0.492
		1.335	1.020	0.783							
32	1-1/4	1.697	1.409	1.189	0.239	0.208	0.312	0.273	0.191	0.250	0.492
		1.681	1.350	1.130							
40	1-1/2	1.937	1.638	1.366	0.250	0.218	0.351	0.307	0.200	0.281	0.492
		1.921	1.579	1.307							
50	2	2.429	2.098	1.717	0.273	0.238	0.430	0.374	0.218	0.344	0.630
		2.409	2.035	1.657							
65	2-1/2	2.929	2.528		0.345	0.302			0.276		0.630
		2.909	2.409								
80	3	3.555	3.126		0.375	0.327			0.300		0.630
		3.535	3.008								
100	4	4.555	4.087		0.421	0.368			0.337		0.748
		4.535	3.965								

ASTM A182 STAINLESS HIGH PRESSURE FITTINGS

COUPLING / HALF COUPLING / CAP - SOCKET



COUPLING

HALF COUPLING

CAP

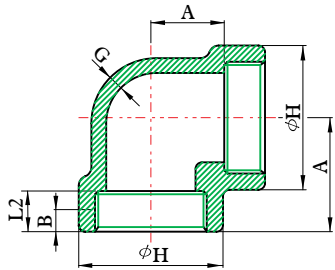
DIMENSIONS

unit : inch

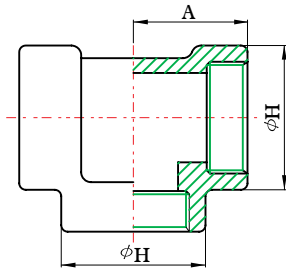
Center to Bottom of Socket-A				Laying Lengths		Tolerances ±			End Wall Thickness K Min.		Nom. Pipe Size	DN
90° Elbows Tees, Crosses		45° Elbows		Couplings E	Half Couplings F	A	E	F	Class Designation			
Class Designation		Class Designation							3000	6000		
3000	6000	3000	6000						3000	6000		
0.433	0.433	0.315	0.315	0.256	0.630	0.039	0.059	0.039	0.189	0.252	1/8	6
0.433	0.531	0.315	0.315	0.256	0.630	0.039	0.059	0.039	0.189	0.252	1/4	8
0.531	0.610	0.315	0.433	0.256	0.689	0.059	0.118	0.059	0.189	0.252	3/8	10
0.610	0.748	0.433	0.492	0.374	0.886	0.059	0.118	0.059	0.252	0.311	1/2	15
0.748	0.886	0.512	0.551	0.374	0.945	0.059	0.118	0.059	0.252	0.311	3/4	20
0.886	1.063	0.551	0.689	0.492	1.122	0.079	0.157	0.079	0.378	0.441	1	25
1.063	1.260	0.689	0.807	0.492	1.181	0.079	0.157	0.079	0.378	0.441	1-1/4	32
1.260	1.496	0.807	1.004	0.492	1.260	0.079	0.157	0.079	0.441	0.500	1-1/2	40
1.496	1.614	1.004	1.122	0.748	1.614	0.079	0.157	0.079	0.500	0.618	2	50
1.614		1.122		0.748	1.693	0.098	0.197	0.098	0.618	0.748	2-1/2	65
2.244		1.260		0.748	1.752	0.098	0.197	0.098	0.748	0.882	3	80
2.618		1.614		0.748	1.890	0.098	0.197	0.098	0.882	1.118	4	100

ASTM A182 STAINLESS HIGH PRESSURE FITTINGS

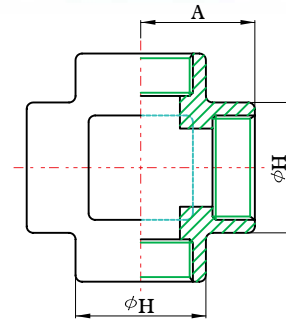
90° ELBOW / CROSS / TEE / 45° ELBOW - THREADED



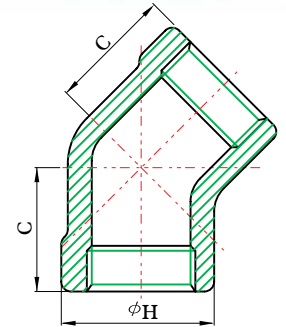
90° ELBOW



TEE



CROSS



45° ELBOW

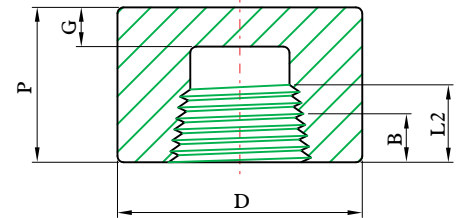
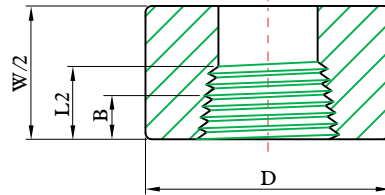
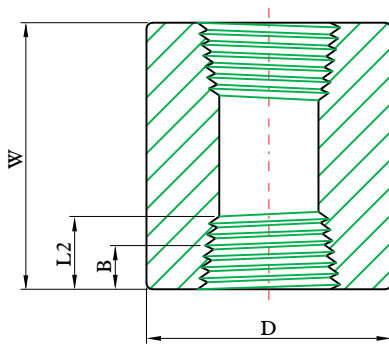
DIMENSIONS

unit : inch

DN	Nom. Pipe Size	Center to End Elbows, Tees, Cross A		Center to End 45° Elbow C		Outside Diameter of Band H		Minimum Wall Thickness G		Length of Thread. Min. (1)	
		3000	6000	3000	6000	3000	6000	3000	6000	B	L2
6	1/8	0.827	0.984	0.669	0.748	0.866	0.984	0.125	0.250	0.252	0.264
8	1/4	0.984	1.102	0.748	0.866	0.984	1.299	0.130	0.260	0.319	0.402
10	3/8	1.102	1.299	0.866	0.984	1.299	1.496	0.138	0.275	0.358	0.409
15	1/2	1.299	1.496	0.984	1.102	1.496	1.811	0.161	0.321	0.429	0.535
20	3/4	1.496	1.732	1.102	1.299	1.811	2.205	0.170	0.336	0.500	0.547
25	1	1.732	2.008	1.299	1.378	2.205	2.441	0.196	0.391	0.579	0.681
32	1-1/4	2.008	2.362	1.378	1.693	2.441	2.953	0.208	0.417	0.669	0.709
40	1-1/2	2.362	2.520	1.693	1.732	2.953	3.307	0.219	0.436	0.701	0.724
50	2	2.520	3.268	1.732	2.047	3.307	4.016	0.281	0.476	0.748	0.756
65	2-1/2	3.268	3.740	2.047	2.520	4.016	4.764	0.301	0.602	0.929	1.138
80	3	3.740	4.173	2.520	3.110	4.764	5.748	0.348	0.655	1.020	1.201
100	4	4.488	4.488	3.110	3.110	5.984	5.984	0.440	0.735	1.091	1.299

ASTM A182 STAINLESS HIGH PRESSURE FITTINGS

COUPLING / HALF COUPLING / CAP - THREADED



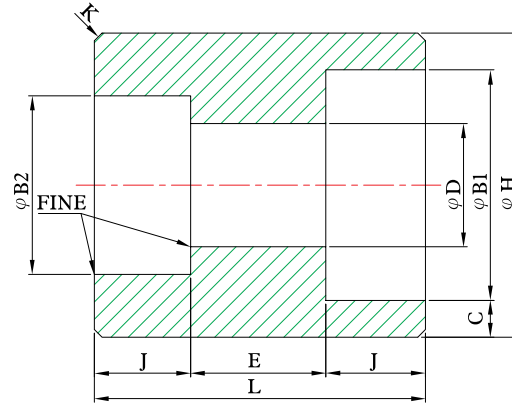
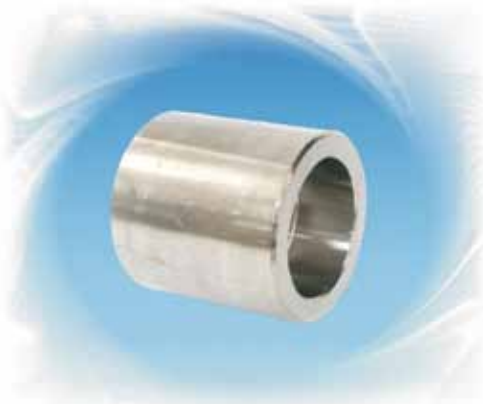
DIMENSIONS

unit : inch

DN	Nom. Pipe Size	End to End Couplings W	End to End Caps P		Outside Diameter D		End Wall Thickness G Min.		Length of Thread. M in (1)	
		3000 / 6000	3000	6000	3000	6000	3000	6000	B	L2
6	1/8	1.260	0.748	-----	0.630	0.866	0.189	-----	0.252	0.264
8	1/4	1.378	0.984	1.063	0.748	0.984	0.189	0.252	0.319	0.402
10	3/8	1.496	0.984	1.063	0.866	1.260	0.189	0.252	0.358	0.409
15	1/2	1.890	1.260	1.299	1.102	1.496	0.252	0.311	0.429	0.535
20	3/4	2.008	1.457	1.496	1.378	1.732	0.252	0.311	0.500	0.547
25	1	2.362	1.614	1.693	1.732	2.244	0.382	0.441	0.579	0.681
32	1-1/4	2.638	1.732	1.811	2.244	2.520	0.382	0.441	0.669	0.709
40	1-1/2	3.110	1.732	1.890	2.520	2.992	0.441	0.500	0.701	0.724
50	2	3.386	1.890	2.008	2.992	3.622	0.500	0.618	0.748	0.756
65	2-1/2	3.622	2.362	2.520	3.622	4.252	0.618	0.748	0.929	1.138
80	3	4.252	2.559	2.677	4.252	5.000	0.748	0.882	1.020	1.201
100	4	4.764	2.677	2.953	5.512	6.260	0.882	1.118	1.091	1.299

ASTM A182 STAINLESS HIGH PRESSURE FITTINGS

REDUCING COUPLING - SOCKET-WELD END



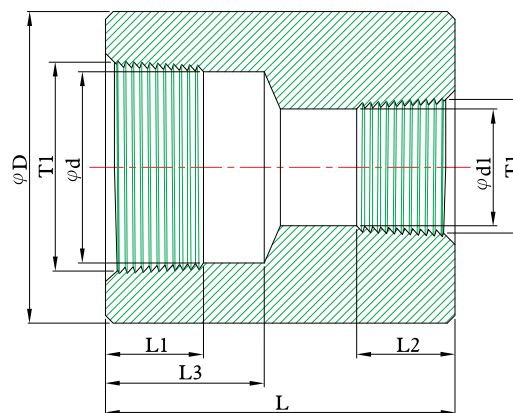
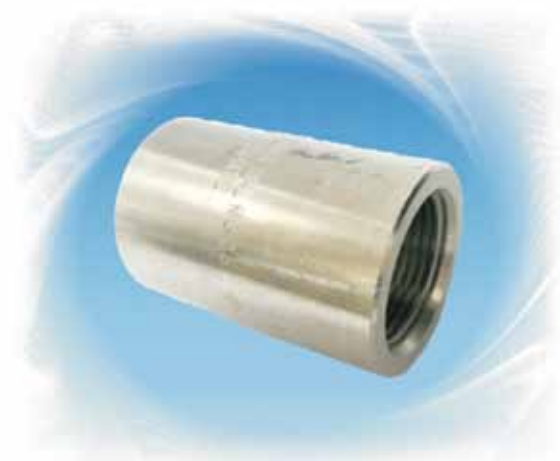
DIMENSIONS

unit : inch

SIZE	B1	B2	D	C (Min)	H (Min)	J	E	L
1/4 x 1/8	0.56	0.43	0.27	0.15	0.86	0.41	0.26	1.08
3/8 x 1/8	0.70	0.43	0.27	0.16	1.02	0.41	0.26	1.12
3/8 x 1/4	0.70	0.56	0.37	0.16	1.02	0.41	0.26	1.12
1/2 x 1/8	0.86	0.43	0.27	0.19	1.23	0.49	0.37	1.36
1/2 x 1/4	0.11	0.56	0.37	0.19	1.23	0.49	0.37	1.36
1/2 x 3/8	0.86	0.70	0.50	0.19	1.23	0.49	0.37	1.36
3/4 x 1/8	1.07	0.43	0.27	0.19	1.46	0.55	0.37	1.48
3/4 x 1/4	1.07	0.56	0.37	0.19	1.46	0.55	0.37	1.48
3/4 x 3/8	1.07	0.70	0.50	0.19	1.46	0.55	0.37	1.48
3/4 x 1/2	1.07	0.86	0.62	0.19	1.46	0.55	0.37	1.48
1 x 1/8	1.34	0.43	0.27	0.22	1.79	0.59	0.49	1.69
1 x 1/4	1.34	0.56	0.37	0.22	1.79	0.59	0.49	1.69
1 x 3/8	1.34	0.70	0.50	0.22	1.79	0.59	0.49	1.69
1 x 1/2	1.34	0.86	0.62	0.22	1.79	0.59	0.49	1.69
1 x 3/4	1.34	1.07	0.83	0.22	1.79	0.59	0.49	1.69
1-1/4 x 1/8	1.69	0.43	0.27	0.24	2.17	0.67	0.49	1.85
1-1/4 x 1/4	1.69	0.56	0.37	0.24	2.17	0.67	0.49	1.85
1-1/4 x 3/8	1.69	0.70	0.50	0.24	2.17	0.67	0.49	1.85
1-1/4 x 1/2	1.69	0.86	0.62	0.24	2.17	0.67	0.49	1.85
1-1/4 x 3/4	1.69	1.07	0.83	0.24	2.17	0.67	0.49	1.85
1-1/4 x 1	1.69	1.34	1.05	0.24	2.17	0.67	0.49	1.85
1-1/2 x 1/8	1.93	0.43	0.27	0.25	2.43	0.69	0.49	1.89
1-1/2 x 1/4	1.93	0.56	0.37	0.25	2.43	0.69	0.49	1.89
1-1/2 x 3/8	1.93	0.70	0.50	0.25	2.43	0.69	0.49	1.89
1-1/2 x 1/2	1.93	0.86	0.62	0.25	2.43	0.69	0.49	1.89
1-1/2 x 3/4	1.93	1.07	0.83	0.25	2.43	0.69	0.49	1.89
1-1/2 x 1	1.93	1.34	1.05	0.25	2.43	0.69	0.49	1.89
1-1/2 x 1-1/4	1.93	1.69	1.38	0.25	2.43	0.69	0.49	1.89
2 x 1/8	2.42	0.43	0.27	0.27	2.96	0.87	0.75	2.48
2 x 1/4	2.42	0.56	0.37	0.27	2.96	0.87	0.75	2.48
2 x 3/8	2.42	0.70	0.50	0.27	2.96	0.87	0.75	2.48
2 x 1/2	2.42	0.86	0.62	0.27	2.96	0.87	0.75	2.48
2 x 3/4	2.42	1.07	0.83	0.27	2.96	0.87	0.75	2.48
2 x 1	2.42	1.34	1.05	0.27	2.96	0.87	0.75	2.48
2 x 1-1/4	2.42	1.69	1.38	0.27	2.96	0.87	0.75	2.48
2 x 1-1/2	2.42	1.93	1.61	0.27	2.96	0.87	0.75	2.48
2-1/2 x 1-1/4	2.92	1.69	1.38	0.35	3.61	0.87	0.75	2.48
2-1/2 x 1-1/2	2.92	1.93	1.61	0.35	3.61	0.87	0.75	2.48
2-1/2 x 2	2.92	2.42	2.07	0.35	3.61	0.87	0.75	2.48
3 x 1-1/2	3.54	1.93	1.61	0.38	4.30	0.87	0.75	2.48
3 x 2	3.54	2.42	2.07	0.38	4.30	0.87	0.75	2.48
3 x 2-1/2	3.54	2.92	2.47	0.38	4.30	0.87	0.75	2.48
4 x 2	4.54	2.42	2.07	0.42	5.39	0.87	0.75	2.48
4 x 2-1/2	4.54	2.92	2.47	0.42	5.39	0.87	0.75	2.48
4 x 3	4.54	3.54	3.07	0.42	5.39	0.87	0.75	2.48

ASTM A182 STAINLESS HIGH PRESSURE FITTINGS

REDUCING COUPLING - THREADED END



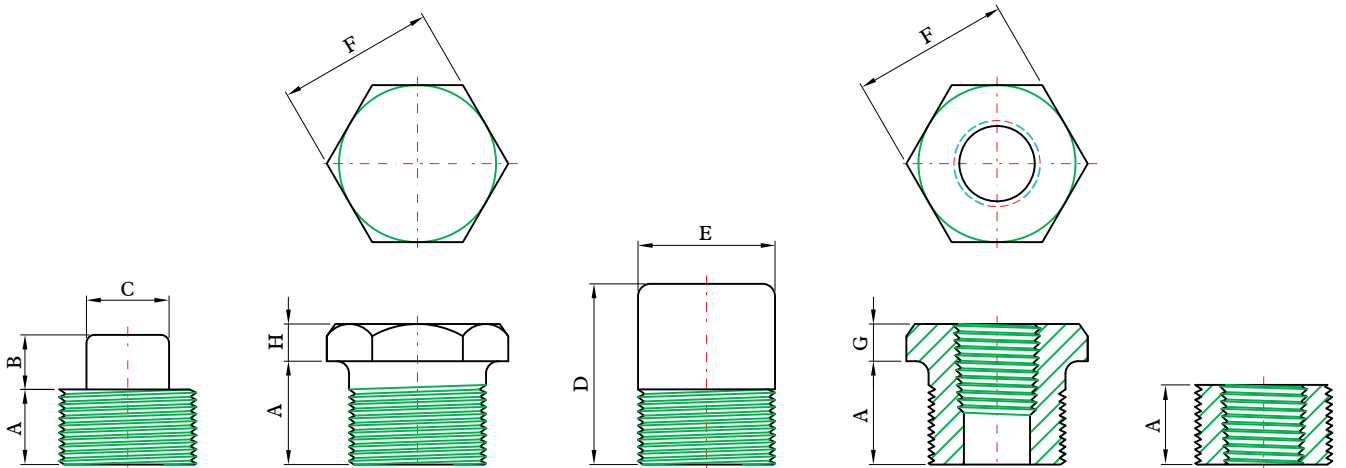
DIMENSIONS

unit : inch

SIZE	T1-n	T2-n	L	D	d	d1	L1	L2	L3
1/4 x1/8	0.71	1.06	1.38	0.75	0.44	0.32	0.50	0.35	0.69
3/8 x1/8	0.71	1.06	1.50	0.87	0.57	0.32	0.52	0.35	0.75
3/8 x1/4	0.71	0.71	1.50	0.87	0.57	0.44	0.52	0.50	0.75
1/2 x1/4	0.55	0.71	1.89	1.10	0.68	0.44	0.68	0.50	0.94
1/2 x3/8	0.55	0.71	1.89	1.10	0.68	0.57	0.68	0.52	0.94
3/4 x3/8	0.55	0.71	2.01	1.38	0.89	0.57	0.70	0.52	1.00
3/4 x1/2	0.55	0.55	2.01	1.38	0.89	0.68	0.70	0.68	1.00
1 x3/8	0.45	0.71	2.36	1.73	1.12	0.57	0.83	0.52	1.18
1 x1/2	0.45	0.55	2.36	1.73	1.12	0.68	0.83	0.68	1.18
1 x3/4	0.45	0.55	2.36	1.73	1.12	0.89	0.83	0.70	1.18
1-1/4 x1/2	0.45	0.55	2.64	2.24	1.46	0.68	0.85	0.68	1.32
1-1/4 x3/4	0.45	0.55	2.64	2.24	1.46	0.89	0.85	0.70	1.32
1-1/4 x1	0.45	0.45	2.64	2.24	1.46	1.12	0.85	0.83	1.32
1-1/2 x1/2	0.45	0.55	3.11	2.52	1.70	0.68	0.85	0.68	1.56
1-1/2 x3/4	0.45	0.55	3.11	2.52	1.70	0.89	0.85	0.70	1.56
1-1/2 x1	0.45	0.45	3.11	2.52	1.70	1.12	0.85	0.83	1.56
1-1/2 x1-1/4	0.45	0.45	3.11	2.52	1.70	1.46	0.85	0.85	1.56
2 x3/4	0.45	0.55	3.39	2.99	2.17	0.89	0.87	0.70	1.69
2 x1	0.45	0.45	3.39	2.99	2.17	1.12	0.87	0.83	1.69
2 x1-1/4	0.45	0.45	3.39	2.99	2.17	1.46	0.87	0.85	1.69
2 x1-1/2	0.45	0.45	3.39	2.99	2.17	1.70	0.87	0.85	1.69
2-1/2 x1	0.31	0.45	3.62	3.62	2.58	1.12	1.18	0.83	1.81
2-1/2 x1-1/4	0.31	0.45	3.62	3.62	2.58	1.46	1.18	0.85	1.81
2-1/2 x1-1/2	0.31	0.45	3.62	3.62	2.58	1.70	1.18	0.85	1.81
2-1/2 x2	0.31	0.45	3.62	3.62	2.58	2.17	1.18	0.87	1.81
3 x1	0.31	0.45	4.25	4.25	3.21	1.12	1.27	0.83	2.13
3 x1-1/4	0.31	0.45	4.25	4.25	3.21	1.46	1.27	0.85	2.13
3 x1-1/2	0.31	0.45	4.25	4.25	3.21	1.70	1.27	0.85	2.13
3 x2	0.31	0.45	4.25	4.25	3.21	2.17	1.27	0.87	2.13
3 x2-1/2	0.31	0.31	4.25	4.25	3.21	2.58	1.27	1.18	2.13
4 x1-1/4	0.31	0.45	4.76	5.51	4.20	1.46	1.34	0.85	2.38
4 x1-1/2	0.31	0.45	4.76	5.51	4.20	1.70	1.34	0.85	2.38
4 x2	0.31	0.45	4.76	5.51	4.20	2.17	1.34	0.87	2.38
4 x2-1/2	0.31	0.31	4.76	5.51	4.20	2.58	1.34	1.18	2.38

ASTM A182 STAINLESS HIGH PRESSURE FITTINGS

SQUARE HEAD PLUG / HEX HEAD PLUG / ROUND HEAD PLUG / HEX HEAD BUSHING / FLUSH BUSHING



SQUARE HEAD PLUG

HEX HEAD PLUG

ROUND HEAD PLUG

HEX HEAD(1) BUSHING

FLUSH BUSHING

DIMENSIONS

unit : inch

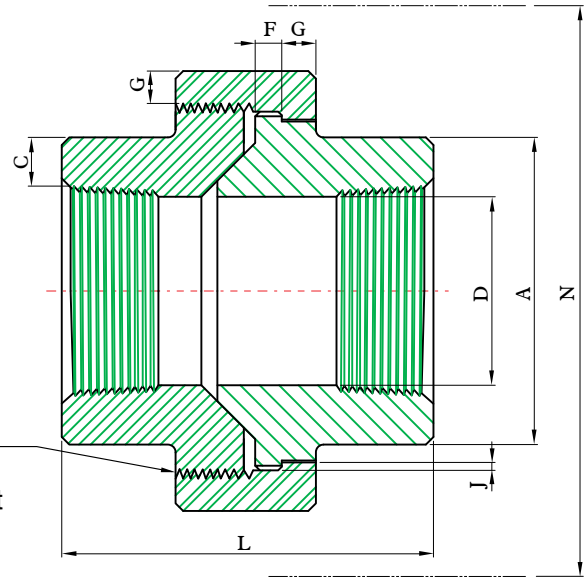
DN	Nom. Pipe Size	Length (Min.) A	Plugs Square Head		Plugs Round Head		Hex Plugs & Bushings		
			Height of Square (Min.) B	Width Flats (Min.) C	Nominal Diameter of Head E	Length (Min.) D	Width Flats (Nom.) F	Hex Height (Min.)	
								Bushing G	Plug H
6	1/8	0.394	0.236	0.276	0.394	1.378	0.433	----	0.236
8	1/4	0.433	0.236	0.394	0.551	1.614	0.630	0.118	0.236
10	3/8	0.512	0.315	0.433	0.709	1.614	0.709	0.157	0.315
15	1/2	0.551	0.394	0.551	0.827	1.732	0.866	0.197	0.315
20	3/4	0.630	0.433	0.630	1.063	1.732	1.063	0.236	0.394
25	1	0.748	0.512	0.827	1.299	2.008	1.417	0.236	0.394
32	1-1/4	0.827	0.551	0.945	1.693	2.008	1.811	0.276	0.551
40	1-1/2	0.827	0.630	1.102	1.890	2.008	1.969	0.315	0.630
50	2	0.866	0.709	1.260	2.362	2.520	2.559	0.354	0.709
65	2-1/2	1.063	0.748	1.417	2.874	2.756	2.953	0.394	0.748
80	3	1.102	0.827	1.614	3.504	2.756	3.543	0.394	0.827
100	4	1.260	0.984	2.559	4.488	2.992	4.528	0.512	0.984

ASTM A182 STAINLESS HIGH PRESSURE FITTINGS

UNION - THREADED



H-Thrd's
Minimum 4 Full Thrd's
Engagement Class 2A/2B Fit



DIMENSIONS

unit : inch

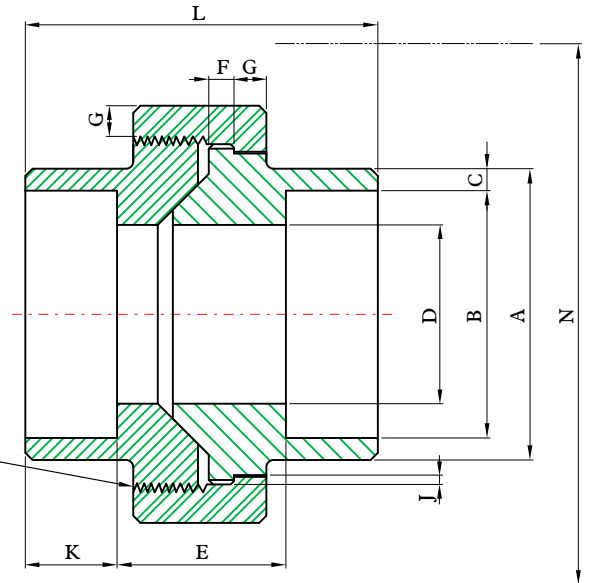
Nom. Pipe Size	Pipe End	Wall Min. C	Water Way Bore D	Male Flange	Nut	Thrds. Per 25.4mm Max. H	Bearing Min. J	Length Assem. L	Clear Assem. Nut N
	Min. A			Min. F	Min. G				
1/8	0.579	0.095	0.269 0.253	0.125	0.126	0.630	0.049	1.630	1.929
1/4	0.748	0.119	0.388 0.372	0.125	0.126	0.630	0.049	1.630	1.929
3/8	0.902	0.126	0.548 0.532	0.135	0.134	0.551	0.054	1.811	2.165
1/2	1.091	0.147	0.688 0.672	0.145	0.146	0.551	0.059	1.929	2.244
3/4	1.319	0.154	0.858 0.842	0.160	0.161	0.433	0.066	2.240	2.638
1	1.630	0.179	1.108 1.092	0.180	0.173	0.433	0.073	2.441	3.110
1-1/4	1.988	0.191	1.408 1.392	0.210	0.205	0.433	0.084	2.799	3.701
1-1/2	2.252	0.200	1.638 1.622	0.230	0.220	0.394	0.091	3.008	4.370
2	2.760	0.218	2.068 2.052	0.260	0.252	0.394	0.106	3.390	5.197
2-1/2	3.358	0.276	2.548 2.532	0.295	0.280	0.315	0.121	4.031	5.827
3	4.031	0.300	3.058 3.042	0.325	0.315	0.315	0.139	4.291	6.890

ASTM A182 STAINLESS HIGH PRESSURE FITTINGS

UNION - SOCKET



H-Thrd's
Minimum 4 Full Thrd's
Engagement Class 2A/2B Fit



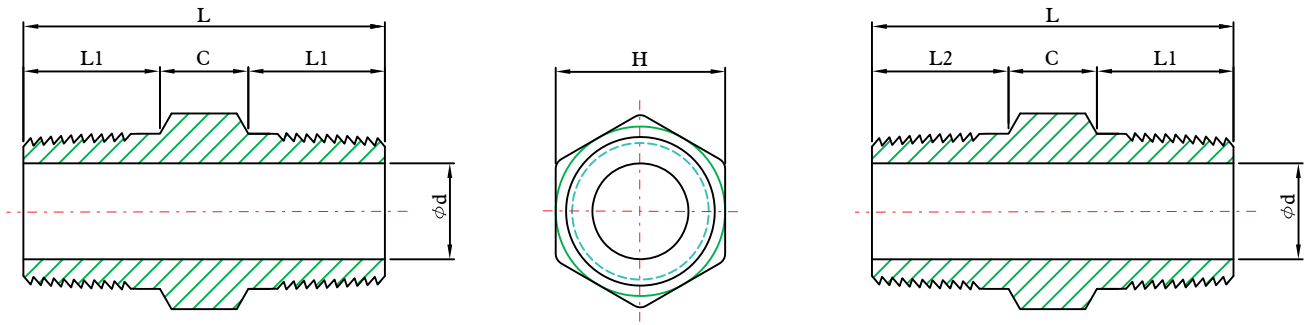
DIMENSIONS

unit : inch

Nom. Pipe Size	Pipe End	Socket Bore Dia.	Socket Wall	Water Way Bore	Laying Length	Male Flange	Nut	Thrds. Per 25.4mm Max. H	Bearing	Depth of Socket Min. K	Length Assem. Nom. L	Clear Assem. Nut N
	Min. A	B	Min. C	D	E	Min. F	Min. G		Min. J			
1/8	0.858	0.430 0.420	0.125	0.269 0.253	0.882 0.748	0.125	0.125	0.630	0.049	0.378	1.630	1.929
1/4	0.858	0.560 0.550	0.130	0.388 0.372	0.882 0.748	0.125	0.125	0.630	0.049	0.378	1.630	1.929
3/8	1.020	0.700 0.690	0.137	0.548 0.532	1.059 0.811	0.135	0.135	0.551	0.054	0.378	1.811	2.165
1/2	1.228	0.860 0.850	0.160	0.688 0.672	1.059 0.811	0.145	0.145	0.551	0.059	0.378	1.929	2.244
3/4	1.461	1.070 1.060	0.168	0.858 0.842	1.252 1.000	0.160	0.160	0.433	0.066	0.500	2.240	2.638
1	1.791	1.340 1.330	0.195	1.108 1.092	1.350 1.031	0.180	0.175	0.433	0.073	0.500	2.441	3.110
1-1/4	2.161	1.680 1.670	0.208	1.408 1.392	1.598 1.280	0.210	0.205	0.433	0.084	0.500	2.799	3.701
1-1/2	2.421	1.920 1.910	0.218	1.638 1.622	1.661 1.339	0.230	0.220	0.394	0.091	0.500	3.012	4.370
2	2.961	2.420 2.410	0.238	2.068 2.052	1.791 1.469	0.260	0.250	0.394	0.106	0.622	3.390	5.197
2-1/2	3.610	2.920 2.900	0.301	2.548 2.532	2.429 2.051	0.295	0.280	0.315	0.121	0.622	4.031	5.827
3	4.299	3.550 3.530	0.327	3.058 3.042	2.512 2.110	0.325	0.315	0.315	0.139	0.622	4.291	6.890

ASTM A182 STAINLESS HIGH PRESSURE FITTINGS

HEX - NIPPLE



unit : inch / lb

Size NPS	C	L1	L	d	H	Unit Weight in Kgs
1/8	0.236	0.394	1.024	0.157	0.472	0.03
1/4	0.315	0.551	1.417	0.264	0.669	0.04
3/8	0.315	0.551	1.417	0.350	0.748	0.05
1/2	0.354	0.748	1.850	0.469	0.945	0.09
3/4	0.394	0.748	1.890	0.630	1.181	0.15
1	0.433	0.945	2.323	0.791	1.378	0.27
1-1/4	0.472	0.945	2.362	1.098	1.811	0.45
1-1/2	0.551	0.945	2.441	1.260	1.969	0.62
2	0.630	1.024	2.677	1.571	2.559	1.03
2-1/2	0.709	1.496	3.701	2.169	3.150	1.51
3	0.787	1.575	3.937	2.559	3.740	2.22
4	0.965	1.575	4.134	3.346	4.941	4.00

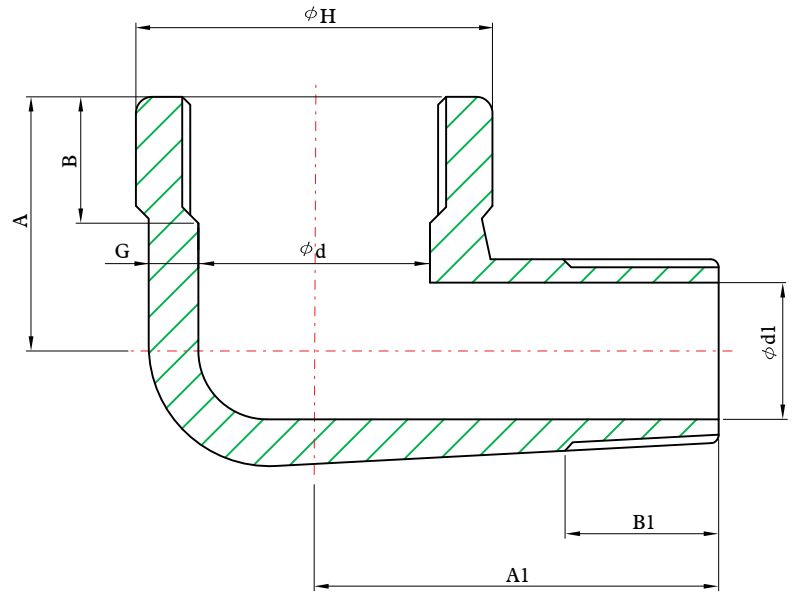
DIMENSIONS

unit : inch / lb

Size NPS	C	L1	L2	L	d	H	Unit Weight in Kgs
3/8 X 1/4	0.315	0.551	0.551	1.417	0.264	0.748	0.05
1/2 X 1/4	0.354	0.748	0.551	1.654	0.264	0.945	0.09
1/2 X 3/8	0.354	0.748	0.551	1.654	0.350	0.945	0.09
3/4 X 1/4	0.394	0.748	0.551	1.693	0.264	1.181	0.15
3/4 X 3/8	0.394	0.748	0.551	1.693	0.350	1.181	0.15
3/4 X 1/2	0.394	0.748	0.748	1.890	0.469	1.181	0.15
1 X 3/8	0.433	0.945	0.551	1.929	0.350	1.339	0.27
1 X 1/2	0.433	0.945	0.748	2.126	0.469	1.339	0.27
1 X 3/4	0.433	0.945	0.748	2.126	0.630	1.339	0.27
1-1/4 X 1/2	0.472	0.945	0.748	2.165	0.469	1.811	0.45
1-1/4 X 3/4	0.472	0.945	0.748	2.165	0.630	1.811	0.45
1-1/4 X 1	0.472	0.945	0.945	2.362	0.791	1.811	0.45
1-1/2 X 3/4	0.551	0.945	0.748	2.244	0.630	1.969	0.62
1-1/2 X 1	0.551	0.945	0.945	2.441	0.791	1.969	0.62
1-1/2 X 1-1/4	0.551	0.945	0.945	2.441	1.098	1.969	0.62
2 X 1	0.630	1.024	0.945	2.598	0.791	2.559	1.03
2 X 1-1/4	0.630	1.024	0.945	2.598	1.098	2.559	1.03
2 X 1-1/2	0.630	1.024	0.945	2.598	1.260	2.559	1.03
2-1/2 X 1-1/4	0.709	1.496	0.945	3.150	1.098	3.150	1.51
2-1/2 X 1-1/2	0.709	1.496	0.945	3.150	1.260	3.150	1.51
2-1/2 X 2	0.709	1.496	1.024	3.228	1.571	3.150	1.51
3 X 1-1/2	0.787	1.575	0.945	3.307	1.260	3.740	2.22
3 X 2	0.787	1.575	1.024	3.386	1.571	3.740	2.22
3 X 2-1/2	0.787	1.575	1.496	3.858	2.169	3.740	2.22

ASTM A182 STAINLESS HIGH PRESSURE FITTINGS

STREET ELBOW



DIMENSIONS

3000Lbs

unit : inch

Dim Nom. Pipe Size	H	A	A1	d	d1	G (Min)	B (Min)	B1 (Min)
1/4	0.984	0.874	1.248	0.441	0.276	0.130	0.315	0.406
3/8	1.299	1.000	1.500	0.571	0.354	0.138	0.354	0.409
1/2	1.496	1.126	1.622	0.618	0.512	0.161	0.433	0.535
3/4	1.811	1.374	1.874	0.823	0.630	0.170	0.492	0.543
1	2.205	1.752	2.268	1.047	0.787	0.196	0.571	0.681
1-1/4	2.441	2.000	2.626	1.378	1.102	0.208	0.669	0.709
1-1/2	2.953	2.126	2.811	1.610	1.181	0.219	0.709	0.724
2	3.307	2.500	3.307	2.067	1.575	0.281	0.748	0.760

6000Lbs

unit : inch

Dim Nom. Pipe Size	H	A	A1	d	d1	G (Min)	B (Min)	B1 (Min)
1/4	1.299	1.000	1.500	0.441	0.118	0.260	0.315	0.406
3/8	1.496	1.126	1.622	0.571	0.185	0.275	0.354	0.409
1/2	1.811	1.374	1.874	0.618	0.248	0.321	0.433	0.535
3/4	2.205	1.752	2.252	0.823	0.437	0.336	0.492	0.543
1	2.441	2.000	2.626	1.047	0.598	0.391	0.571	0.681
1-1/4	2.441	2.000	2.626	1.378	1.102	0.208	0.669	0.709
1-1/2	3.307	2.500	3.307	1.610	1.098	0.436	0.709	0.724

ASTM A182 STAINLESS HIGH PRESSURE FITTINGS

STANDARD PACKAGING QUANTITY FOR EACH CARTON

unit: pcs

SIZE NPS	90D ELB		45D ELB		TEE		CPLG		UNION		H.CPLG		CAP		BUSH		NIPPLE		HEX PLUG	
	3000# SW	3000#NPT SW	3000# SW	3000#NPT SW	3000# SW	3000#NPT SW	3000# SW	3000#NPT SW	3000# SW	3000#NPT SW	3000# SW	3000#NPT SW	3000# SW	3000#NPT SW	3000# SW	3000#NPT SW	3000# SW	3000#NPT SW	3000# SW	3000#NPT SW
1/4"	150	100	150	100	100	80	350	250	70	350	300	350	300	600	500	800				
3/8"	100	80	100	80	80	50	250	200	70	300	250	300	500	400	600					
1/2"	80	50	80	50	50	35	120	100	50	150	130	150	400	200	250					
3/4"	50	30	50	30	35	20	80	70	35	120	80	120	200	120	200					
1"	30	20	30	20	20	15	50	35	20	80	50	80	100	80	100					
1-1/4"	20	15	20	15	15	10	30	20	14	50	30	50	70	35	70					
1-1/2"	15	6	15	8	10	5	20	15	10	40	20	40	50	30	50					
2"	8	5	10	6	6	4	15	10	6	20	15	20	25	15	25					
2-1/2"	4	2	6	4	4	3	10	5	2	6	10	6	15	5	15					
3"	2	1	3	2	2	1	6	3	1	5	4	5	10	3	10					

SIZE OF CARTON: 1.10in x 0.79in x 0.71in

ASTM A182 STAINLESS HIGH PRESSURE FITTINGS

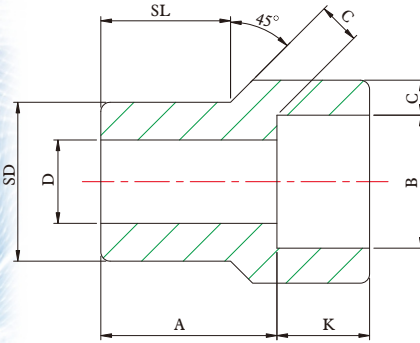
WEIGHT LIST

unit: lb / pc

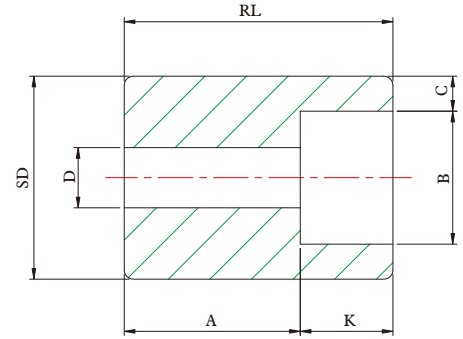
SIZE	1/8"	1/4"	3/8"	1/2"	3/4"	1"	1-1/4"	1-1/2"	2"	2-1/2"	3"	4"
3000 LBS SCREWED												
90° ELBOW	0.22	0.31	0.59	0.90	1.59	2.27	2.89	4.87	5.44	9.98	17.11	29.23
45° ELBOW	0.18	0.26	0.53	0.75	1.19	2.03	2.14	4.05	4.25	7.62	11.98	19.74
TEE	0.29	0.29	0.84	1.23	1.85	3.74	4.30	7.00	8.00	13.74	20.99	37.97
COUPLING	0.11	0.11	0.13	0.29	0.42	0.86	1.50	2.18	3.02	4.56	6.78	11.98
HALF COUPLING	0.07	0.07	0.07	0.13	0.22	0.44	0.75	1.10	1.50	2.27	3.39	5.99
CAP	0.09	0.09	0.11	0.24	0.40	0.77	1.32	1.54	2.33	4.05	5.84	10.07
STREET ELBOW	0.22	0.31	0.59	0.90	1.45	2.14	2.89	4.87	5.44			
UNION	0.62	0.62	0.62	0.68	1.01	1.48	2.27	3.33	5.35	7.67	11.56	26.43
6000 LBS SCREWED												
90° ELBOW	0.37	0.66	0.99	1.59	2.53	3.55	5.88	7.05	13.00	21.76	36.19	
45° ELBOW	0.24	0.59	0.86	1.34	2.25	2.58	5.88	5.75	9.63	15.44	31.19	
TEE	0.44	0.93	1.39	2.16	3.63	4.82	7.75	9.74	17.36	28.88	49.56	
COUPLING	0.18	0.13	0.40	0.68	0.90	1.87	2.31	4.12	7.49	9.25	13.44	22.11
HALF COUPLING	0.09	0.09	0.20	0.35	0.44	0.95	1.17	2.00	3.74	4.63	6.72	11.06
CAP	0.13	0.13	0.20	0.31	0.44	0.75	1.30	1.70	3.24			
PLUG & BUSHING												
3000 / 6000 LBS												
SQUARE HEAD	0.02	0.02	0.07	0.11	0.20	0.35	0.59	0.84	1.39	2.11	3.37	8.44
HEX HEAD	0.02	0.07	0.11	0.15	0.31	0.55	1.04	1.37	2.42	3.81	4.74	13.00
ROUND HEAD	0.04	0.11	0.15	0.26	0.44	0.75	1.21	1.59	3.11	4.87	7.18	13.24
BUSHING		0.02	0.02	0.07	0.11	0.20	0.55	0.75	0.99	1.32	2.56	7.05
3000 LBS SCREWED WELD												
90° ELBOW	0.20	0.22	0.22	0.48	0.68	1.17	1.59	2.14	3.77	8.37	12.11	24.12
45° ELBOW	0.15	0.13	0.20	0.44	0.57	0.88	1.41	1.70	2.69	7.86	11.23	20.73
TEE	0.24	0.20	0.33	0.70	0.93	1.43	2.18	2.97	4.56	8.59	13.00	31.28
COUPLING	0.09	0.11	0.15	0.29	0.42	0.59	1.08	1.30	2.14	3.13	4.14	7.29
HALF COUPLING	0.09	0.11	0.15	0.29	0.42	0.59	1.08	1.30	2.14	3.13	4.14	7.29
CAP	0.07	0.09	0.11	0.22	0.35	0.48	2.89	1.12	1.87	2.73	4.27	7.29
UNION	0.62	0.62	0.62	0.68	1.01	1.48	2.27	3.33	5.35	7.67	11.56	26.43
6000 LBS SCREWED WELD												
90° ELBOW				0.88	1.39	2.62	3.00	5.31	5.99	10.46	18.83	31.52
45° ELBOW				0.66	1.26	1.94	2.44	4.43	4.74	8.92	13.26	24.60
TEE				1.19	1.94	3.17	4.07	7.20	7.93	15.29	23.37	37.27
COUPLING				0.53	0.73	1.43	1.65	2.64	4.67	6.30	8.83	13.99
HALF COUPLING				0.53	0.73	1.43	1.65	2.64	4.67	6.30	8.83	13.99
CAP				0.42	0.57	1.17	1.41	2.14	3.61	4.89	7.60	13.28

ASTM A182 STAINLESS HIGH PRESSURE FITTINGS

REDUCER INSERT



TYPE 1



TYPE 2 ⁽¹⁾

DIMENSIONS

unit : inch

Nom. Pipe Size	Type (2)		Socket		Shank Dia. SD	Laying Length A		Bore D		Wall (Min) C		Length			
			Dia. B	Depth (Min) K								SL		RL (Min)	
	3M	6M				3M	6M	3M	6M	3M	6M	3M	6M	3M	6M
3/8 X 1/4	1	1	0.56	0.39	0.68	0.75	0.83	0.35	0.26	0.15	0.18	0.55	0.63	-	-
1/2 X 3/8	1	1	0.70	0.39	0.84	0.83	0.91	0.49	0.35	0.16	0.20	0.63	0.63	-	-
1/2 X 1/4	1	1	0.56	0.39	0.84	0.83	0.83	0.35	0.26	0.15	0.18	0.63	0.63	-	-
3/4 X 1/2	1	1	0.86	0.39	1.05	0.87	0.98	0.63	0.47	0.18	0.24	0.67	0.75	-	-
3/4 X 3/8	2	1	0.70	0.39	1.05	0.63	0.87	0.49	0.35	0.16	0.20	-	0.75	1.06	-
3/4 X 1/4	2	2	0.56	0.39	1.05	0.71	0.87	0.35	0.26	0.15	0.18	-	-	1.06	1.26
1 X 3/4	1	1	1.08	0.51	1.31	0.94	1.10	0.83	0.61	0.19	0.27	0.75	0.83	-	-
1 X 1/2	2	1	0.86	0.39	1.31	0.63	1.10	0.63	0.47	0.18	0.24	-	0.83	1.10	-
1 X 3/8	2	2	0.70	0.39	1.31	0.71	0.87	0.49	0.35	0.16	0.20	-	-	1.10	1.30
1 X 1/4	2	2	0.56	0.39	1.31	0.75	0.94	0.35	0.26	0.15	0.18	-	-	1.10	1.30
1-1/4 X 1	1	1	1.34	0.51	1.66	0.98	1.18	1.04	0.81	0.22	0.31	0.83	0.87	-	-
1-1/4 X 3/4	2	2	1.08	0.51	1.66	0.71	0.83	0.83	0.61	0.19	0.27	-	-	1.26	1.38
1-1/4 X 1/2	2	2	0.86	0.39	1.66	0.75	0.87	0.63	0.47	0.18	0.24	-	-	1.26	1.38
1-1/4 X 3/8	2	2	0.70	0.39	1.66	0.83	0.94	0.49	0.35	0.16	0.20	-	-	1.26	1.38
1-1/4 X 1/4	2	2	0.56	0.39	1.66	0.87	0.98	0.35	0.26	0.15	0.18	-	-	1.26	1.38
1-1/2 X 1-1/4	1	1	1.69	0.51	1.90	1.10	1.38	1.38	1.15	0.24	0.31	0.87	0.98	-	-
1-1/2 X 1	2	1	1.34	0.51	1.90	0.71	1.13	1.04	0.81	0.22	0.31	-	0.98	1.30	-
1-1/2 X 3/4	2	2	1.08	0.51	1.90	0.75	0.98	0.83	0.61	0.19	0.27	-	-	1.30	1.57
1-1/2 X 1/2	2	2	0.86	0.39	1.90	0.83	1.06	0.63	0.47	0.18	0.24	-	-	1.30	1.57
1-1/2 X 3/8	2	2	0.70	0.39	1.90	0.87	1.10	0.49	0.35	0.16	0.20	-	-	1.30	1.57
2 X 1-1/2	1	1	1.93	0.51	2.38	1.26	1.54	1.61	1.34	0.25	0.35	0.98	1.10	-	-
2 X 1-1/4	2	2	1.69	0.51	2.38	0.83	0.94	1.38	1.15	0.24	0.31	-	-	1.50	1.61
2 X 1	2	2	1.34	0.51	2.38	0.87	0.98	1.04	0.83	0.22	0.31	-	-	1.50	1.61
2 X 3/4	2	2	1.08	0.51	2.38	0.94	1.06	0.83	0.61	0.19	0.27	-	-	1.50	1.61
2 X 1/2	2	2	0.86	0.39	2.37	0.98	1.10	0.62	0.47	0.18	0.23	-	-	1.50	1.61

1. At the option of the manufacturer type 2 Reducers may be furnished in type 1 configuration .

2. 3M & 6M symbols 3000 and 6000 classes .